

BUG

modular seating system
with included tilting

upholstery even more

- **Breathable**
- **Durable**
- **Resistant**

(Martindale method: 100.000 cycles)
UNI ENI ISO 12947



BUG with base 869 passed CRASH
TEST according to the ISO 7176/19
and ANSI RESNA WC/19

the only one with **tilting system in the seat**
adjustable, it grows with the child, it can be positioned both on indoor and outdoor bases



Posture

it doesn't have to be reset after removing or moving the seat

Adjustments

continuous movement and without snaps. It can be operated by one hand

Versatility

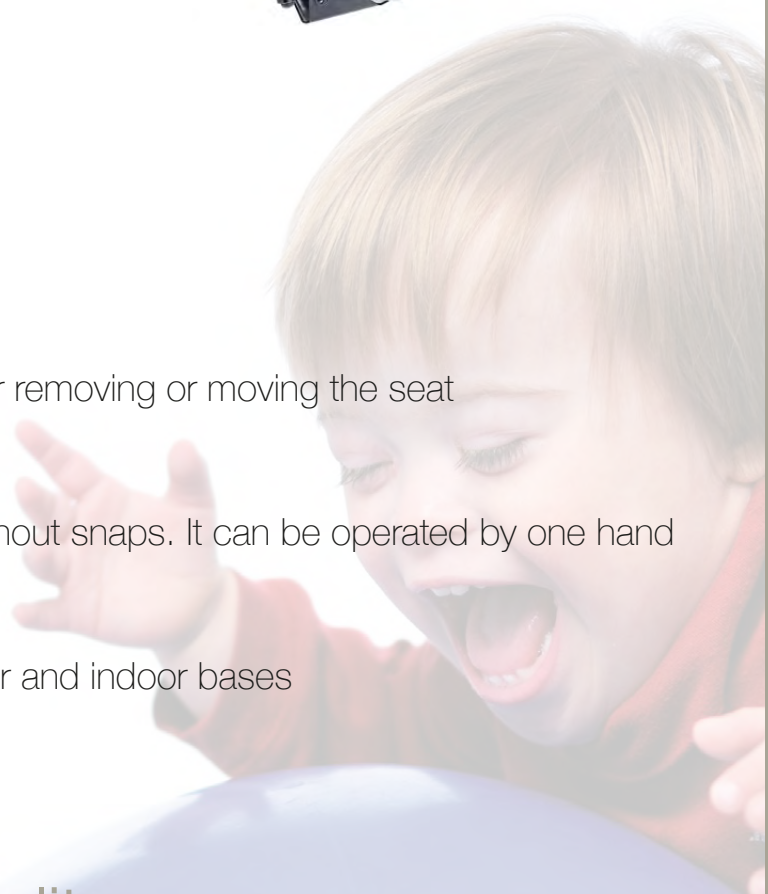
it can be positioned on outdoor and indoor bases

Compactness

compact outdoor bases

Safety and practicality

guided locking system on flat surface, it is visible, practical and safe



adjustable on 4 bases and on any flat surfaces



angle adjustable
push-handle

BUG with base 869 passed
CRASH TEST according to the ISO
7176/19 and ANSI RESNA WC/19

► 869 four-wheel outdoor base

Light solid wheels, sliding on all surfaces, with direction locks, independent drum brakes



► 856 indoor high-low feeding base



► 851 indoor high-low compact base



► 850 indoor compact floor base

BUG.



► **headrest incorporated in the backrest**

your child's head is always supported during the tilt adjustments of the seat and of the backrest, also without accessories



► **rigid backrest, reclinable and adjustable in height**



► **lock/unlock system on flat surface with safety button**

modular system

2 sizes with wide range of adjustments

the seat grows with the child



► tilt in space seat unit with adjustable seat

(reversible size Small, 869 base)



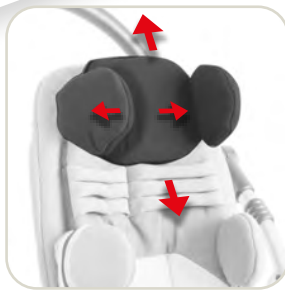
► The adjustment joints of the seating unit get closer to the user joints (coxo-femoral, knee and tibia-tarsus joints). Thus determining great comfort as posture is not changed while adjusting and without any pressure attacks

► Tip-up foot rest, with foot flex-extension adjustment and legrest adjustable in height and tilt

accessories



863 Headrest with parietal supports, height, width, tilt and backward forward adjustable



852 Headrest with parietal supports, height, width adjustable



NEW

942 Ergonomic headrest, adjustable in height, tilt and forward-backward with adjustable sides. Size L (large) available for special case (e.g. hydrocephalus)



NEW

835 Shaped headrest



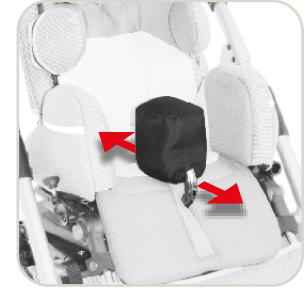
934 Suspension headrest attachment. Only available for 863 headrest (view from behind)



838 Adjustable lateral supports



868 Adjustable wrappable and flexible trunk supports



834 Padded abduction block, adjustable in depth



NEW

834R Padded abduction block, adjustable in depth and abduction



853 Vest harness



903 Five point vest harness



906 Five point harness



894 45° pelvic belt



920 4 Point belt



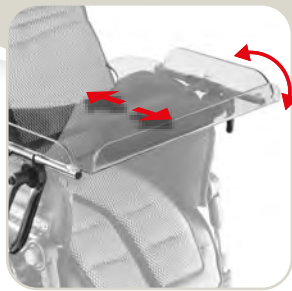
817 Leg straps



827 Foot straps



839 Adjustable front handle



824 Adjustable transparent tray



824B wide tray for indoor high-low adjustable feeding base. It is made of resistant and hygiene material, no edge design, it does not retain any food residue



905 Hand brake for 869 base



935 Oxygen bottle holder. Maximum dimensions of the oxygen bottle: height 600 mm (valve included) – diameter 140 mm. For 869 base the frame can be folded without removing the accessory



911 Vent tray, for carrying medical equipment (view from behind) for 869 base



819 Canopy in combination with the upholstery



825 Rain cover (to fix at the canopy 819) for 869 base



818 Thermal cover



892 Padded covering for footrest



854 Parasol for 869 base in combination with the upholstery



858 Net basket for 869 base



921 Sibling rear footboard. For children of at least 15 months. Max. load 20 kg (44 Lbs.) For 869 base



922 Bottle holder for 869 base



891 Set of 4 tie down hooks for the forward-facing transport of the pushchair in a motor vehicle (private/cars, buses..). Only for 869 base

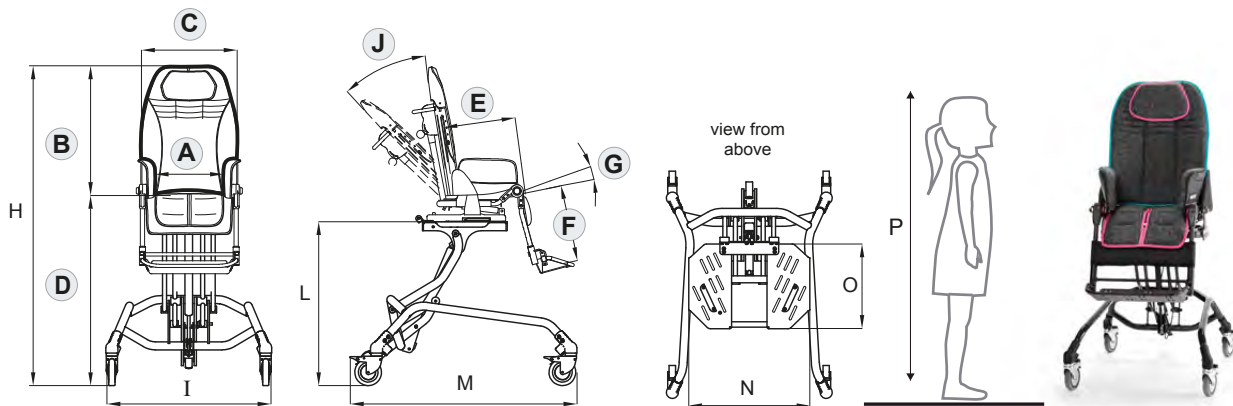


WARNING:
-fits the ISO 10542 compliant 4-POINT STRAP-TYPE TIEDOWN, provided by the vehicle
-it is required for the child to wear both pelvic- and shoulder-belt-type restraints, to be compliant either with ISO 7176-19 or ISO 10542
-postural belts and harnesses such as our 828, 853, 894, 903, 906 are not approved for the use as an occupant restraint system
-the vehicle must be suitable for transporting orthopedic pushchairs in compliance with current law
-read the warnings and instructions given in the user's & maintenance book

indoor bases measures

modular postural system BUG on 856 indoor high-low feeding base

with cm.10 solid pivoting wheels and brakes. Simply and safely Height adjustable, with pedal gas spring

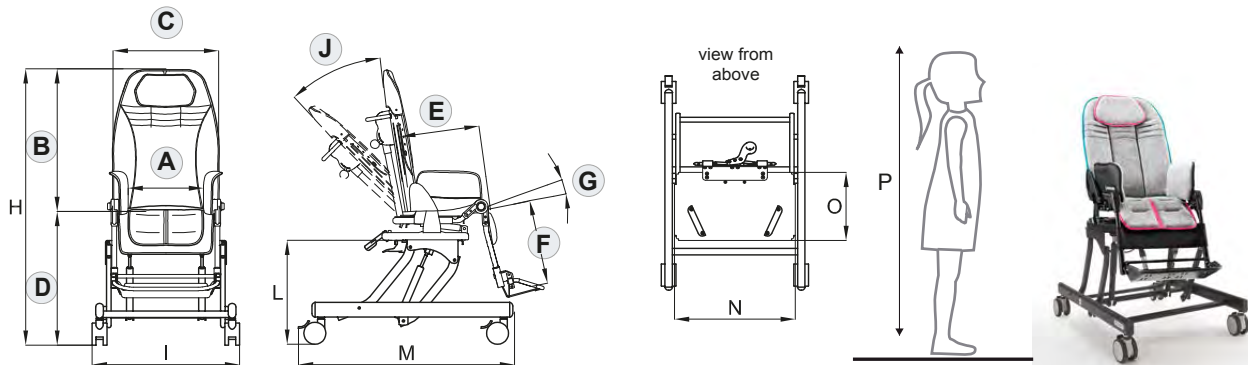


With 856	max load (kg)	A (cm)	B (cm)	C (cm)	D (cm)	E (cm)	F (cm)	G (gradi)	J (gradi)	H (cm)	I (cm)	L (cm)	M (cm)	N (cm)	O (cm)	P (cm)	frame weight (kg)	seat weight (kg)	total weight (kg)
Small	35	20-30	52-62	37	47-73	20-30	14-30	0°-35°	35°	99 - 135	56	35-61	79	40	25	90-120	14,5	8,5	23
Medium	45	25-36	60-75	44	47-73	30-40	30-40	0°-25°	40°	107-148	62	35-61	83	45	32	115-140	15,5	11,5	27

HYPEN-SEPARATED NUMBERS INDICATE THE MINIMUM AND MAXIMUM RANGE OF ADJUSTMENT

modular postural system BUG on 851 indoor high-low compact base

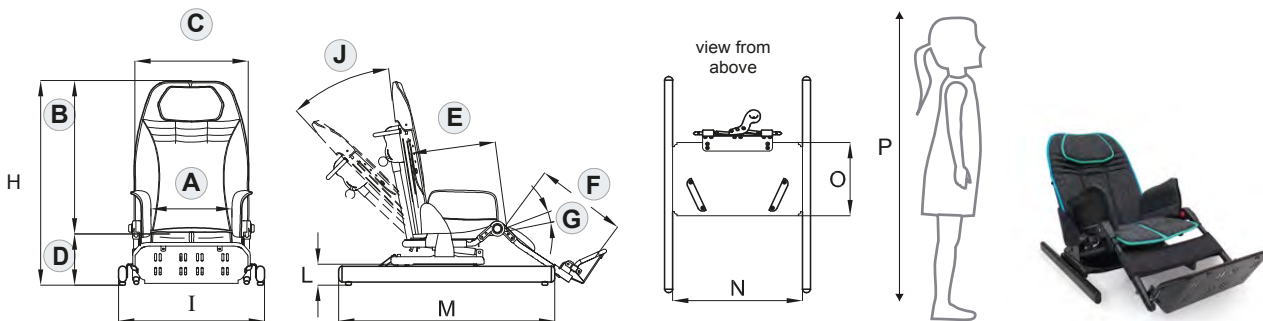
With cm.7.5 solid pivoting wheels and brakes. Simply and safely Height adjustable, with gas spring



With 851	max load (kg)	A (cm)	B (cm)	C (cm)	D (cm)	E (cm)	F (cm)	G (gradi)	J (gradi)	H (cm)	I (cm)	L (cm)	M (cm)	N (cm)	O (cm)	P (cm)	frame weight (kg)	seat weight (kg)	total weight (kg)
Small	35	20-30	52-62	37	34-50	20-30	14-30	0°-35°	35°	86-112	50	23-39	72	41	23	90-120	8,8	8,5	17,3
Medium	45	25-36	60-75	44	34-50	30-40	30-40	0°-25°	40°	94-125	55	23-39	76	46	28	115-140	10	11,5	21,5

HYPEN-SEPARATED NUMBERS INDICATE THE MINIMUM AND MAXIMUM RANGE OF ADJUSTMENT

modular postural system BUG on 850 indoor compact floor base



With 850	max load (kg)	A (cm)	B (cm)	C (cm)	D (cm)	E (cm)	F (cm)	G (gradi)	J (gradi)	H (cm)	I (cm)	L (cm)	M (cm)	N (cm)	O (cm)	P (cm)	frame weight (kg)	seat weight (kg)	total weight (kg)
Small	35	20-30	52-62	37	17	20-30	14-30	0°-35°	35°	69-79	46	6	61	41	23	90-120	4,5	8,5	13
Medium	45	25-36	60-75	44	17	30-40	30-40	0°-25°	40°	77-92	51	6	63	46	28	115-140	5,4	11,5	16,9

HYPEN-SEPARATED NUMBERS INDICATE THE MINIMUM AND MAXIMUM RANGE OF ADJUSTMENT

outdoor base measures

modular postural system BUG on 869 four-wheel outdoor base

cm.17 front wheels, cm. 25 rear wheels for size Small and cm. 30 rear wheels for size medium

with 869	max load (kg)	A (cm)	B (cm)	C (cm)	D (cm)	E (cm)	F (cm)	G (gradi)	J (gradi)	H (cm)	I (cm)	L (cm)	M (cm)	N (cm)	O (cm)	P (cm)	Q (cm)	R (cm)	S (cm)	frame weight (kg)	seat weight (kg)	total weight (kg)
Small	35	20-30	52-62	37	52	20-30	14-30	0°-35°	35°	104-114	57	66-94	29	88	29	82	44	81	90-120	9,5	8,5	18
Medium	45	25-36	60-75	44	55	30-40	30-40	5°-30°	40°	115-130	62	82-106	34	112	36	91	52	94	115-140	10,5	11,5	22

HYPHEN-SEPARATED NUMBERS INDICATE THE MINIMUM AND MAXIMUM RANGE OF ADJUSTMENT

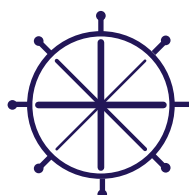


padded, ergonomic, removable upholstery

and fixed with buttons. It is made by "made in Italy" high quality fabric



- ▶ **Oeko-Tex Certificate:** for all fabrics that are in direct contact with the skin, to guarantee quality and safety for health.
- ▶ **Fireproof:** the fire retardant properties are inherent to the yarn and they do not come from additional treatments
- ▶ **Recyclable:** production cycle with low environmental impact
- ▶ **Maximum resistance to rubbing** Martindale method: 100.000 cycles UNI ENI ISO 12947.
- ▶ **Colours durable and highly resistant** to sweat, light, dry cleaning and washing machine.



CERTIFICATED
MED annex A.1/3.19-20-21



Product certified by
CERAH
FRANCE

Product tested by
BERLIN CERT GmbH
AND LISTED IN THE GERMAN HMV
(Technical Aids Listing)

Product
FDA (USA)
registered

Product marked
CE

Authorized dealer



ORMESA s.r.l.

Via A. Da Sangallo, 1 - 06034 FOLIGNO (PG) ITALY
TEL. +39 0742 22927-FAX +39 0742 22637
info@ormesa.com-www.ormesa.com



On with the Future